

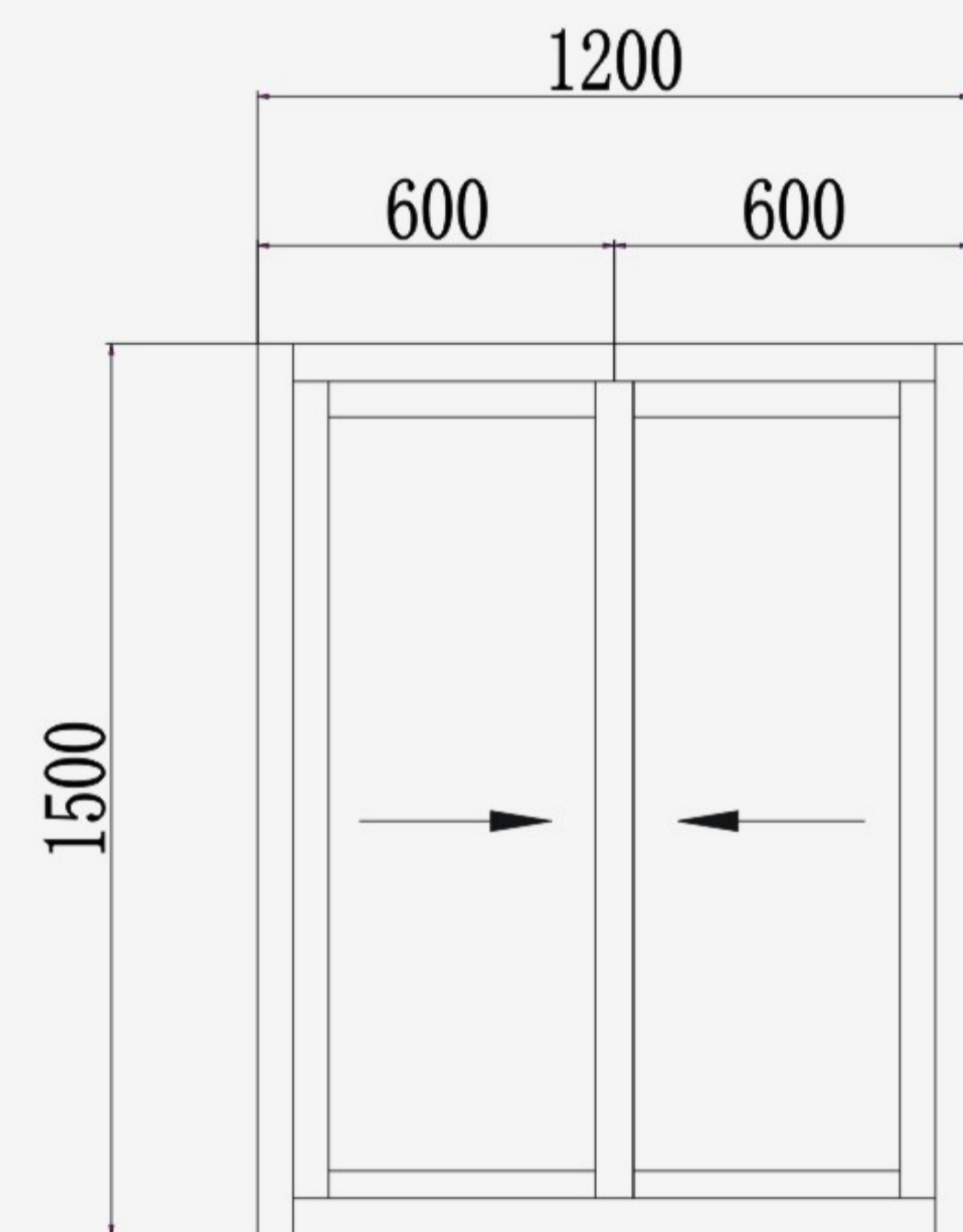


GUANG YA

GRTYL80 Series Insulated Energy-saving Sliding Window

GRTYL80 Series Insulated Energy-saving Sliding Window

Product: GRTYL80 Series insulated energy-saving sliding window (with inter-screen)
 Profile type: Heat-insulation aluminum section
 Frame width: 80mm
 Glazing option: 25.00mm
 Opening style: Sliding opened
 Profile thickness: 1.4mm
 Consumption of aluminum profile: 6.231kg/m²



Product performance (in accordance with GB/T 8478 - 2008)

1. Wind loading resistance: Grade 8 - $4500 \leq P_3 < 5000 P_a$
2. Air tightness: Grade 5 - $2.0 \geq q_1 > 1.5 m^3 / (m.h)$
3. Water proof: Grade 3 - $250 \leq \Delta p < 350 P_a$

Product features:

1. Reasonable profile design, with high-precision hardware, weather strips, rubbers and other accessories available for the system.
2. The accessories of sliding window are versatile, as multi-point lock handles, automatic lock, etc.
3. Jamb/stiles are connected at 45-degree angle. This simple design makes the fabrication easier and the structure firmer.

Accessories provided by Kinlong:

| Item | Price * |
|---|-------------|
| TLS16 Sliding Lock (Assembled For TLS12-6A Lock Hook) | ¥ 10.38/ pc |
| TLK15A Lock Block (Black) | ¥ 1.42/ pc |
| FK-B Anti-collision Lock (Black) | ¥ 0.17/ pc |
| FK-C Anti-collision Lock (Black) | ¥ 0.17/ pc |
| CL10B-K21J150 Pulley | ¥ 4.16/ pc |
| FDK Anti-theft Lock (Black) | ¥ 0.84/ pc |

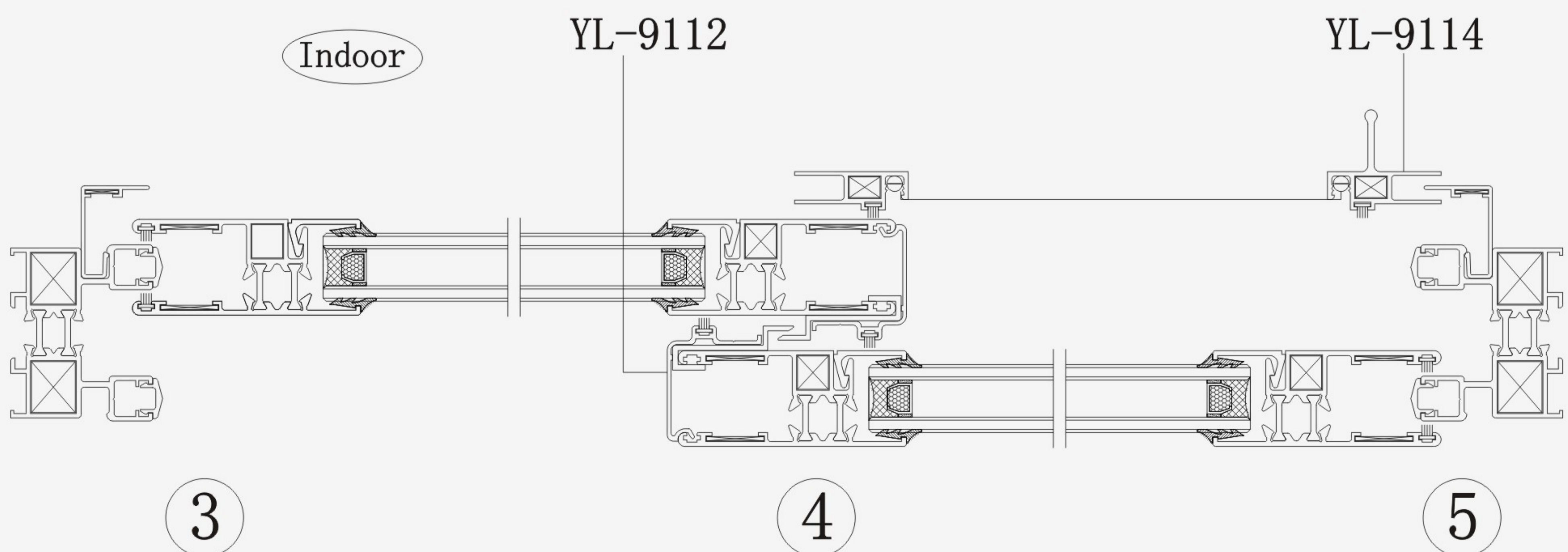
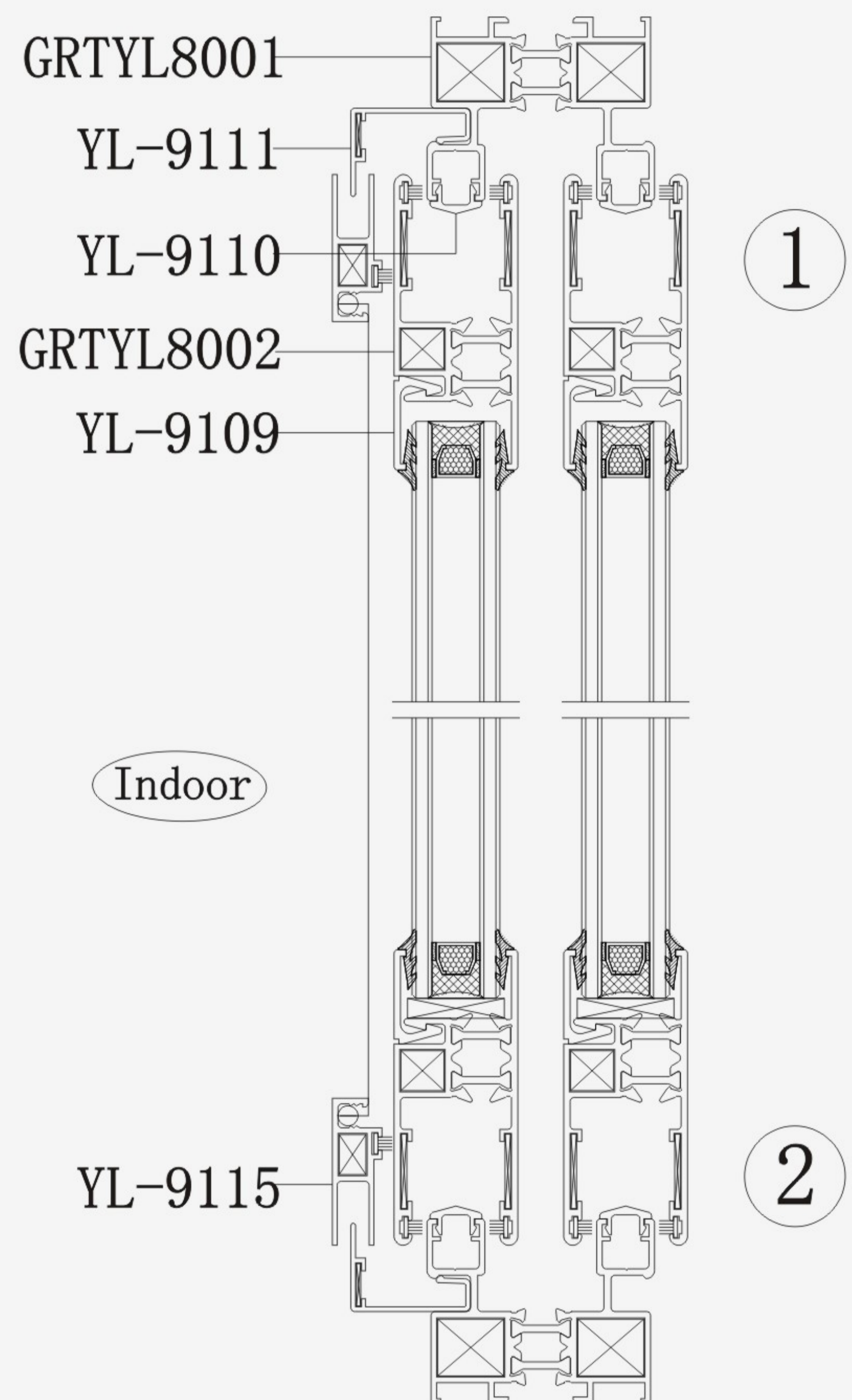
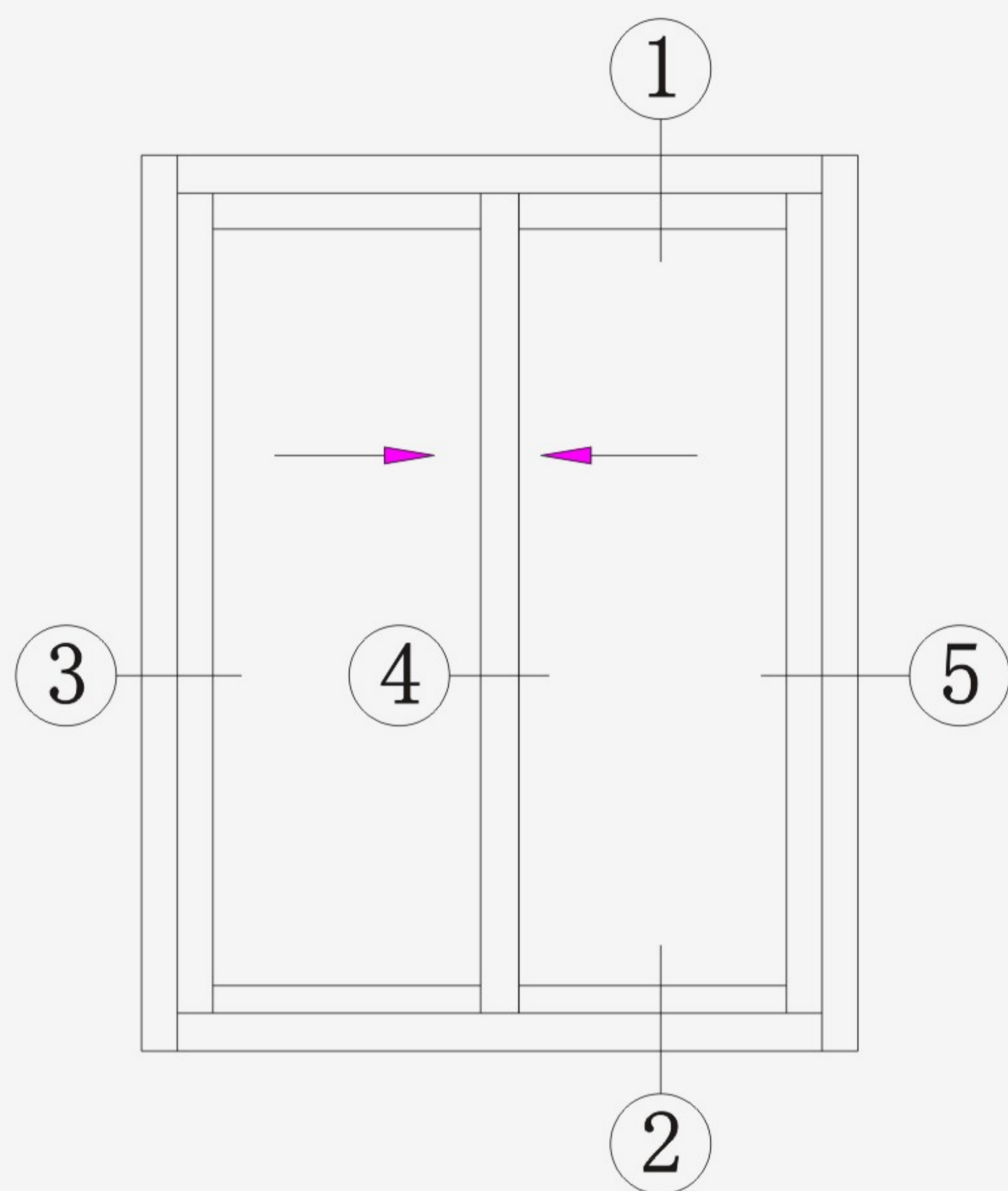
* For reference only, subject to further change.



GUANG YA

GRTYL80 Series Insulated Energy-saving Sliding Window

GRTYL80 Series Insulated Energy-saving Sliding Window



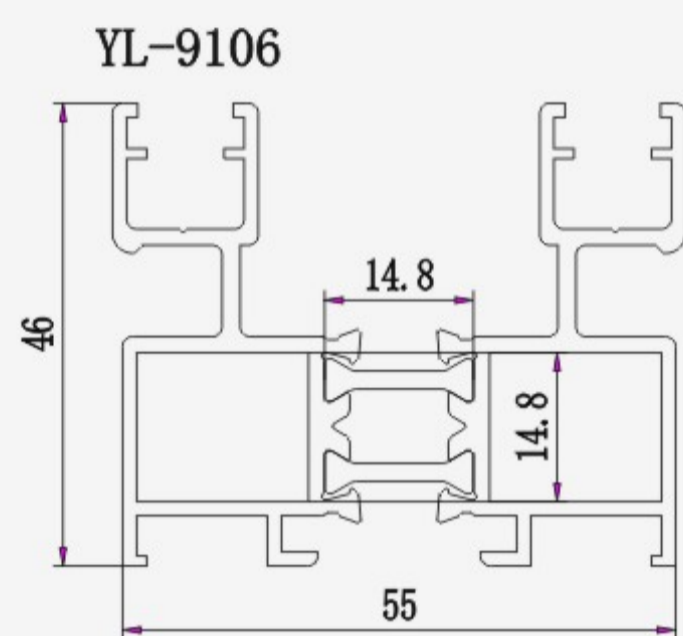


GUANG YA

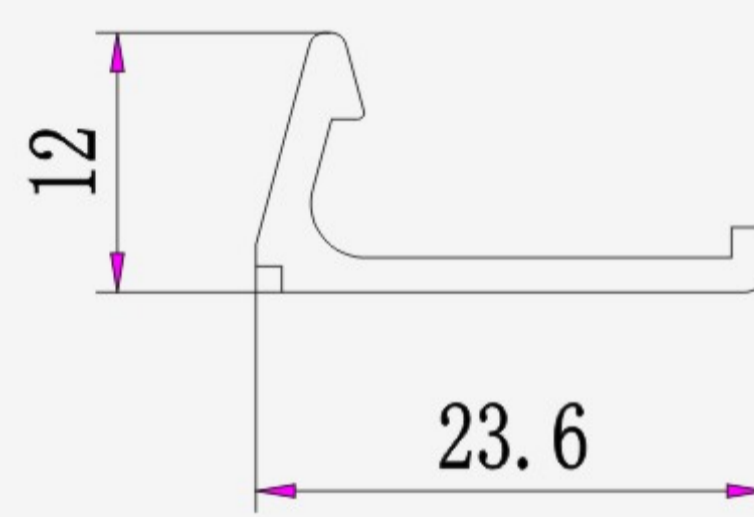
GRTYL80 Series Insulated Energy-saving Sliding Window

| | |
|--------------------|----------------|
| Application | Frame |
| DWG No. | GRTYL8001 |
| Thickness | $\delta = 1.4$ |
| T.W. | 1.354kg/m |

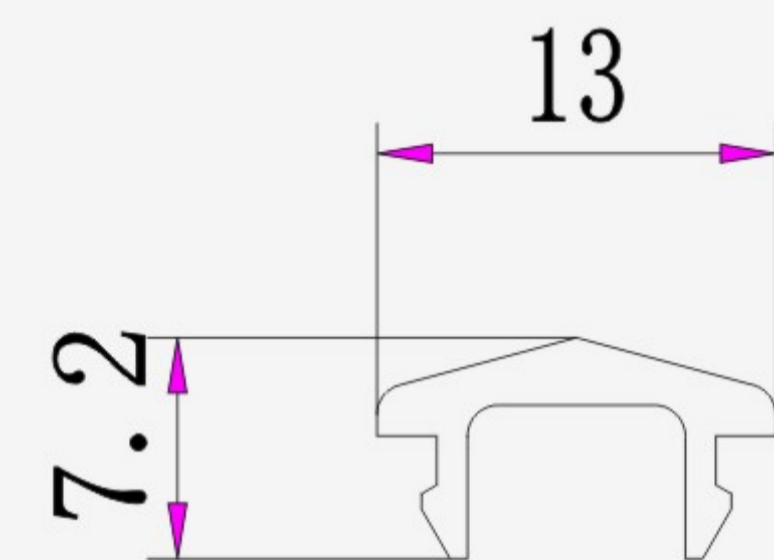
* Matching Angle Is YL-A9005.



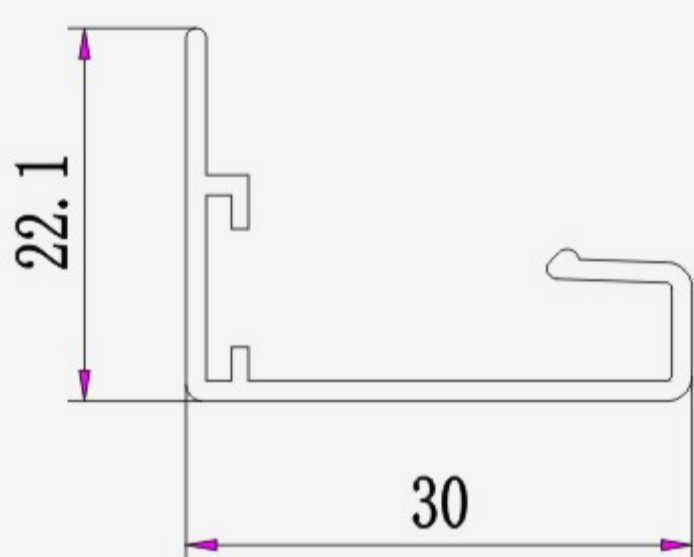
| | |
|--------------------|----------------|
| Application | Buckle |
| DWG No. | YL-9109 |
| Thickness | $\delta = 1.6$ |
| T.W. | 0.170kg/m |



| | |
|--------------------|----------------|
| Application | Rail |
| DWG No. | YL-9110 |
| Thickness | $\delta = 1.2$ |
| T.W. | 0.087kg/m |

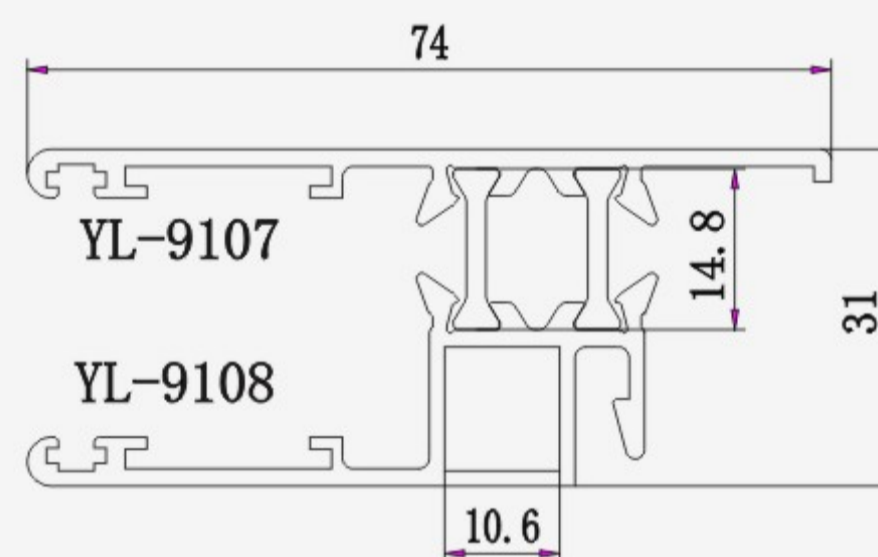


| | |
|--------------------|------------------|
| Application | Rail For Screens |
| DWG No. | YL-9111 |
| Thickness | $\delta = 1.2$ |
| T.W. | 0.228kg/m |

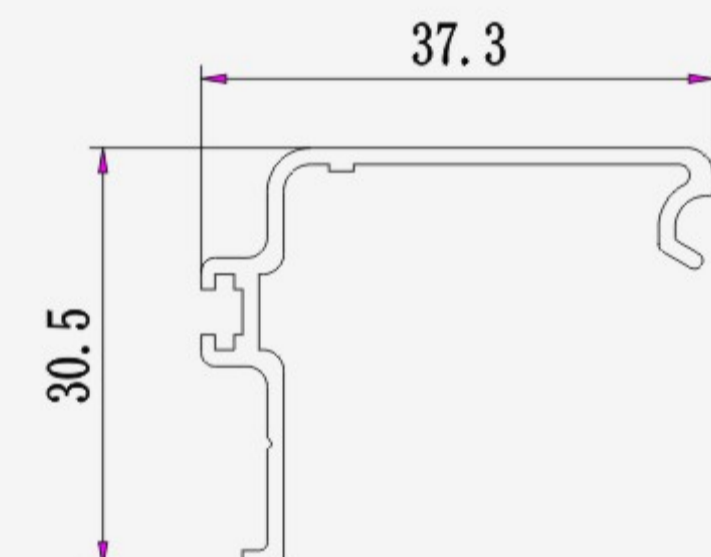


| | |
|--------------------|----------------|
| Application | Sash |
| DWG No. | GRTYL8002 |
| Thickness | $\delta = 1.4$ |
| T.W. | 1.133kg/m |

* Matching Angle Is YL-9113.

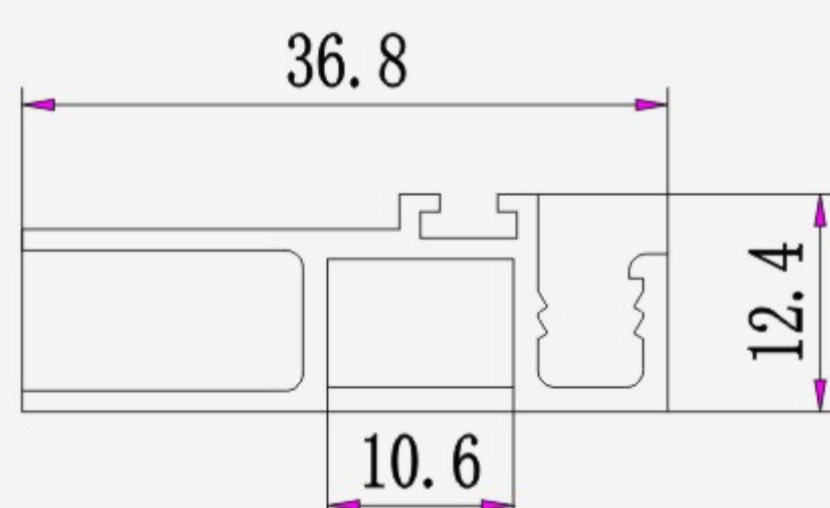


| | |
|--------------------|----------------------|
| Application | Buckle For Interlock |
| DWG No. | YL-9112 |
| Thickness | $\delta = 1.2$ |
| T.W. | 0.277kg/m |



| | |
|--------------------|----------------|
| Application | Screens |
| DWG No. | YL-9115 |
| Thickness | $\delta = 1.4$ |
| T.W. | 0.348kg/m |

* Matching Angle Is YL-9113.



| | |
|--------------------|----------------|
| Application | Screens |
| DWG No. | YL-9114 |
| Thickness | $\delta = 1.4$ |
| T.W. | 0.473kg/m |

* Matching Angle Is YL-9113.

